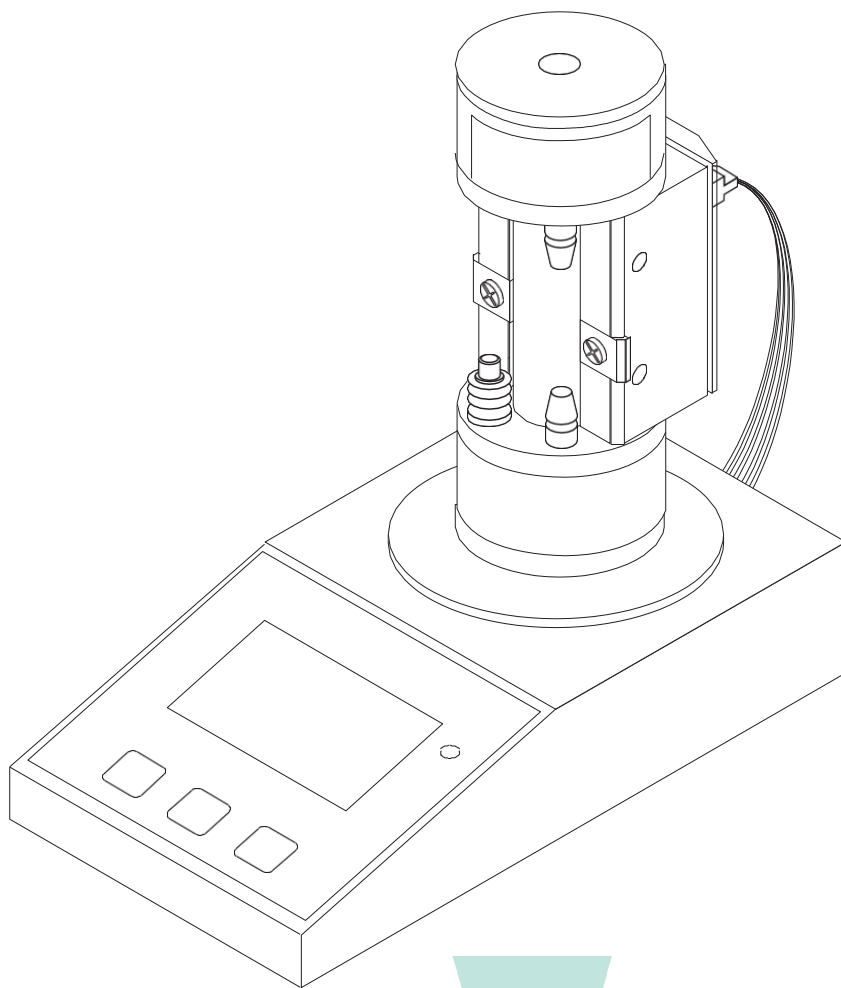


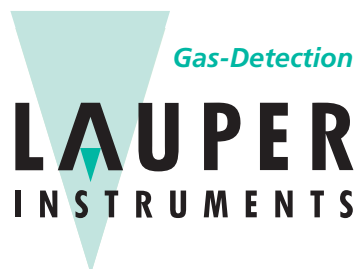
Gilian®
Gilibrator® 2^{USB}

CALIBRATION SYSTEM

OPERATION & SERVICE MANUAL



SENSIDYNE®



Lauper Instruments AG
Irisweg 16 B
CH-3280 Murten
Tel. +41 26 672 30 50
info@lauper-instruments.ch
www.lauper-instruments.ch

PACKING LIST

The following are shipped with the **Gilian Gilibrator 2 Calibration System Standard Kits**:

- Control Unit Base
- Flow Cell Assembly
(High Flow, Standard Flow, Low Flow, or all three)
- AC USB Charger with international blade kit
- USB A/B cable
- Tubing
- Small Carrying Case
- Soap Solution & Dispenser
- Calibration Certificate
- Operation and Service Manual

ALWAYS check to make certain you have received all of the items listed above.

If you have any questions or need assistance, contact your Sensidyne Sales Representative, or call

**(800) 451-9444
OR
(727) 530-3602**

PROPRIETARY NOTICE

This manual was prepared by Sensidyne, LP exclusively for the owner of the Gilian Gilibrator 2 Calibration System. The material within this manual is the proprietary information of Sensidyne, LP and is to be used only to understand, operate, and service the instrument. By receiving this document, the recipient agrees that neither this document nor the information disclosed within nor any part shall be reproduced or transferred, physically, electronically or in any form or used or disclosed to others for manufacturing or for any other purpose except as specifically authorized in writing by Sensidyne, LP.

COPYRIGHT NOTICE

© 2005, © 2008, © 2020 Sensidyne, LP. All rights reserved. Information contained in this document is protected by copyright. No part of this document may be photocopied, reproduced, or translated to another program or system without prior written authorization from Sensidyne, LP.

TRADEMARK NOTICE

Sensidyne, the Sensidyne logo, Gilian, and the Gilian logo are registered trademarks of Sensidyne, LP Gilibrator 2 and the Gilibrator 2 logo are trademarks of Sensidyne, LP. The trademarks and service marks of Sensidyne, LP are protected through use and registration in the United States.

DISCLAIMER

SENSIDYNE, LP ASSUMES NO RESPONSIBILITY WHATSOEVER, TO ANY PARTY WHOSOEVER, FOR ANY PROPERTY DAMAGE, PERSONAL INJURY, OR DEATH RECEIVED BY OR RESULTING FROM, IN WHOLE, OR IN PART, THE IMPROPER USE, INSTALLATION, OR STORAGE OF THIS PRODUCT BY THE USER, PERSON, FIRM, ENTITY, CORPORATION OR PARTY NOT ADHERING TO THE INSTRUCTIONS AND WARNINGS OR NOT ADHERING TO ALL FEDERAL, STATE, AND LOCAL ENVIRONMENTAL AND OCCUPATIONAL HEALTH AND SAFETY LAWS AND REGULATIONS.

THE SELLER SHALL NOT BE LIABLE FOR DIRECT, INDIRECT, CONSEQUENTIAL, INCIDENTAL OR OTHER DAMAGES RESULTING FROM THE SALE AND USE OF ANY GOODS AND SELLER'S LIABILITY HEREUNDER SHALL BE LIMITED TO REPAIR OR REPLACEMENT OF ANY GOODS FOUND DEFECTIVE. THIS WARRANTY IS IN LIEU OF ALL OTHER WARRANTIES, EXPRESSED OR IMPLIED, INCLUDING BUT NOT LIMITED TO THE IMPLIED WARRANTIES OF MERCHANTABILITY AND FITNESS FOR USE OR FOR A PARTICULAR PURPOSE WHICH ARE EXPRESSLY DISCLAIMED.

TABLE OF **CONTENTS**

- PREFACE
- Packing List 3
- Notices 4
- WARNING 7

SECTION ONE: INTRODUCTION

- 1.1 Overview 8
- 1.2 Theory of Operation 8

SECTION TWO: COMPONENTS

- 2.1 Control Unit 9
 - 2.1.1 Buttons & Indicators 9
 - 2.1.2 Display Characters 9
 - 2.1.3 Interface Components 9
- 2.2 Wet Cell Assembly 13
 - 2.2.1 Bubble Generator Components 13
 - 2.2.2 Sensor Block 13

SECTION THREE: SET-UP

- 3.1 System Set-Up 15
- 3.2 Cell Assembly Set-Up 15
 - 3.2.1 Cell Assembly Mounting 15
 - 3.2.2 Cabling Connections 19
 - 3.2.3 Adding Soap Solution 19
 - 3.2.4 Sampling Source Connection 19

TABLE OF **CONTENTS**

SECTION FOUR: OPERATION

4.1	Start Up	21
4.2	Bubble Generation	21
4.3	Flow Readout	21

SECTION FIVE: MAINTENANCE

5.1	Storage	22
5.2	Wet Cell Maintenance	23
5.2.1	General Maintenance	23
5.2.2	Damper Plate Diaphragm	23
5.2.3	Additional Wet Cell Maintenance	23

SECTION SIX: APPENDICES

•	Appendix A: Parts List	25
•	Appendix B: Specifications	27
•	Appendix C: Returned Material Authorization	28

LIST OF FIGURES

2.1	Control Unit.....	11
2.2	Liquid Crystal Display	12
2.3	Wet Cell Assembly (Exploded View)	14
3.1	Gilibrator 2 System Set-Up	16
3.2	Cell Assembly Mounting (3-D View)	17
3.3	Cell Assembly Mounting (Top View).....	18
3.4	Adding Soap Solution	20
5.1	Wet Cell Assembly Maintenance	24



WARNINGS !



READ AND UNDERSTAND ALL WARNINGS BEFORE USE

IMPORTANT COMPATIBILITY NOTE

Most flow cells designed for the original Gilibrator base are compatible with the Gilibrator 2 base unit. If your existing flow cell is not compatible with the Gilibrator 2 base, the unit will display a false SAMPLE# reading immediately after start-up. If this happens, your flow cell needs to be returned to Sensidyne to be upgraded. See Appendix C for more information.

Read and understand **ALL** warnings before using this product. Failure to read, understand, and comply with **ALL** warnings could result in property damage, severe personal injury, or death.

Read and understand **ALL** applicable Federal, State, and Local environmental health and safety laws and regulations, including OSHA. Ensure complete compliance with **ALL** applicable laws and regulations before and during use of this product.

UNDER NO CIRCUMSTANCES should this product be used except by qualified, trained, technically competent personnel and not until the warnings, *Operation and Service Manual*, labels, and other literature accompanying this product have been read and understood.

The *Operation and Service Manual* must be read and understood by each user before operating this product or using its accessories, in order to ensure proper and safe use and installation of this product and to ensure familiarity with the proper treatment and safety procedures in the event of an accident.

DO NOT remove, cover, or alter any label or tag on this product, its accessories, or related products.

DO NOT operate this product should it malfunction or require repair. Operation of a malfunctioning product, or a product requiring repair may result in serious personal injury or death. **DO NOT** attempt to repair or modify the instrument, except as specified in the *Operation and Service Manual*. If repair is needed, contact the Sensidyne Service Department to arrange for a Returned Material Authorization (RMA).

Use **ONLY** genuine SENSIDYNE® replacement parts when performing any maintenance procedures described in this manual. *Failure to do so may seriously impair instrument performance.* Repair or alteration of the product beyond the scope of these maintenance instructions, or by anyone other than an authorized SENSIDYNE® service personnel, could cause the product to fail to perform as designed and persons who rely on this product for their safety could sustain severe personal injury or death.

ALWAYS turn off the instrument before changing any batteries.

ONLY use Soap Solution Part No. 800450 with the Wet Flow Cell Assembly. Use of other soap solutions can damage the Flow Cell.

Use only Gilibrator soap solution. Substitution of other commercial soap solutions may cause damage. Use of soap solutions containing alcohol or other solvents can cause damage to glued surfaces and discoloration of the flow cell.

Use only latex tubing to make the connection to the Gilibrator. Use of any other types of tubing, especially vinyl tubing, can lead to breakage of the Gilibrator fittings.

When removing or replacing the flow cell onto the base bayonet mount, hold the flow cell by the bottom. Gripping the flow cell at the top can cause breakage of the cell's glued section joints.

SECTION ONE

INTRODUCTION

1.1 OVERVIEW

The Gilian Gilibrator 2 Calibration System is an easy-to-use Primary Standard for the calibration of air sampling equipment. The system includes a high accuracy, electronic flowmeter that provides instantaneous air flow readings and cumulative averaging of multiple samples. Three Wet Cell Assemblies provide a wide range of flow rates and are easily interchangeable using twist-on/off mounting.

A crystal-controlled microprocessor Control Unit is designed for accurate data readings. A dual function **DELETE/RESET** button on the Control Unit subtracts erroneous readings to ensure accurate data, or can cancel the current readings completely.

A 9-pin male RS-232 serial port on the Control Unit allows you to output the sampling results to a printer, computer, or compatible sampling pumps and docking stations. A USB-B interface on the Control Unit allows output to a computer. Windows™ compatible Gilibrator 2 Flow Monitoring Software is available that allows you to collect, store, and plot flow samples.

Features of the Gilibrator 2 Calibration System include an easy-to-read display; simultaneous display of flow rate, flow average, and number of samples taken; display indicators for LOW BAT, WAIT; and automatic power shutoff when the unit is inactive for 15 minutes. You can also specify the number of samples to be taken (5 to 95) in 5 sample increments.

Gilibrator 2 Calibration System Kits include a Wet Cell Assembly, Control Unit Base (CE approved), USB wall-power adapter, USB cable (for battery charging and communication), Tubing, and Soap Solution & Dispenser.

Interchangeable Flow Cell Assemblies are available as follows:

- Low Flow Wet Cell (1 to 250 cc/m)
- Standard Flow Wet Cell (20 cc/m to 6 LPM)
- High Flow Wet Cell (2 to 30 LPM)

1.2 THEORY OF OPERATION

To be a primary standard, all values must be absolute and measured as absolute. A primary standard airflow measurement is a volume divided by a time interval as performed by the Control Unit of the Gilibrator 2. The volume (V) is measured volume of space between two beam-break infrared sensors. The time (t) is that interval needed for the soap film bubble to travel between the two sensors which bound the volume. Thus, the volume per unit of time (V/t) becomes the flow rate. Because the electronic clock is far more accurate than the volume measurements, the volume measurement accuracy determines the overall accuracy of the unit.

The Gilibrator 2 consists of two elements, the Wet Flow Cell Assembly and the Control Unit Base. The function of the Flow Cell Assembly is to provide a means for measuring the soap film bubble traveling up a flow tube through a known volume of space.

Measurement of the travel time is done by means of “top” and “bottom” infrared sensors mounted along the flow tube. The volume bound by these sensors is set accurately to a primary volume standard.

As the bubble moves up the tube, it trips the bottom sensor. As it moves further up the tube, it trips the top sensor. The time difference between the bottom and top sensors becomes the elapsed travel time. This timing information (along with the volume information) is sent to the microprocessor in the Control Unit Base. The calculated flow and sample information are then displayed directly on the Liquid Crystal Display.

SECTION TWO **COMPONENTS**

2.1 CONTROL UNIT

The Control Unit (refer to Figures 2.1 & 2.2) contains a crystal-controlled microprocessor timing system. This type of microprocessor, used in conjunction with the built-in software, provides an extremely accurate method for calculating the flow rate parameters.

The Control Unit contains the following components:

2.1.1 Buttons & Indicators

The **ON** and **OFF** buttons turn the Control Unit on and off.

The **DELETE/RESET** button has three functions:

Pressing briefly deletes the most recent reading from the running average. It resets the average and sample number to the previous reading. If a printer is connected, a minus symbol is printed and the average returns to the previous value. If a computer is connected a minus symbol is displayed on the computer monitor and the average returns to the previous value.

Pressing for 3 seconds resets the current readings to zero and initiates a new sampling sequence. If a printer is connected, it prints a new header. If the Flow Monitoring Software is running, its graph will clear and a new sampling sequence will start.

Pressing simultaneously with the ON button sets the sample size. The sample size is adjusted in 5 sample increments by repeatedly pressing **DELETE/RESET** (range: 5–95).

Charge Indicator

This tri-color LED indicates several statuses

Off: Running normally on battery power

Red: Battery is charging

Green: Battery has finished charging

Yellow Blink: Low Battery

Violet: Battery error or over temperature

Blue: startup Flash or Firmware Update Mode

2.1.2 Display Characters

FLOW

This shows the flow rate in either cubic centimeters per minute (ccm) or liters per minute (lpm) depending on the Flow Cell Assembly used.

AVERAGE

Shows the average flow rate for the samples taken.

SAMPLE #

Shows the number of samples taken (MAX = 99).

LOW BAT

This warning is displayed if insufficient battery charge remains to operate the unit properly. If the battery is not recharged, the unit automatically shuts off shortly after this message appears.

WAIT

Indicates there is a flow measurement in progress.

ERROR 1

Indicates trouble with the Flow Cell or cable connection.

ERROR 2

Indicates a problem with the battery connection. If this message appears, please call the factory.

2.1.3 Interface Components

USB

A USB-B connector is provided to power the unit, charge the battery, and provide data communication to a computer.

Battery charging requires a USB power source with at least 500mA capability. Charging will terminate 12 hours after connecting the USB power, sooner if battery is charged. Charge the battery completely prior to battery-powered operation.

Gilibrator 2 Flow Monitoring Software is available for use on a Windows PC.

Serial Port

A standard, RS-232, D-Sub, 9-pin, male, connector allows the unit to be connected to a printer or a compatible sampling pump. Some air sampling pumps, such as the GilAir Plus, can calibrate themselves by receiving data from the Gilibrator 2. A special cable is required to connect the GilAir Plus docking station to the 9-pin serial port on the Gilibrator-2.

Printers must support RS-232 (9-pin or 25-pin) and be configured for 2400 Baud, 8N1, with automatic line-feed on Carriage Return.

A Printer Kit is available, which contains a pre-configured thermal printer and compatible serial port cable.

Cell Interface Cable Assembly

The 9-pin "pig-tail" cable exiting the rear of the unit connects to the mating connector located on the back of the flow cell assembly.

WARNING

*The Flow Cell Connection is NOT RS-232 compatible.
Do NOT connect this to a serial port device.*

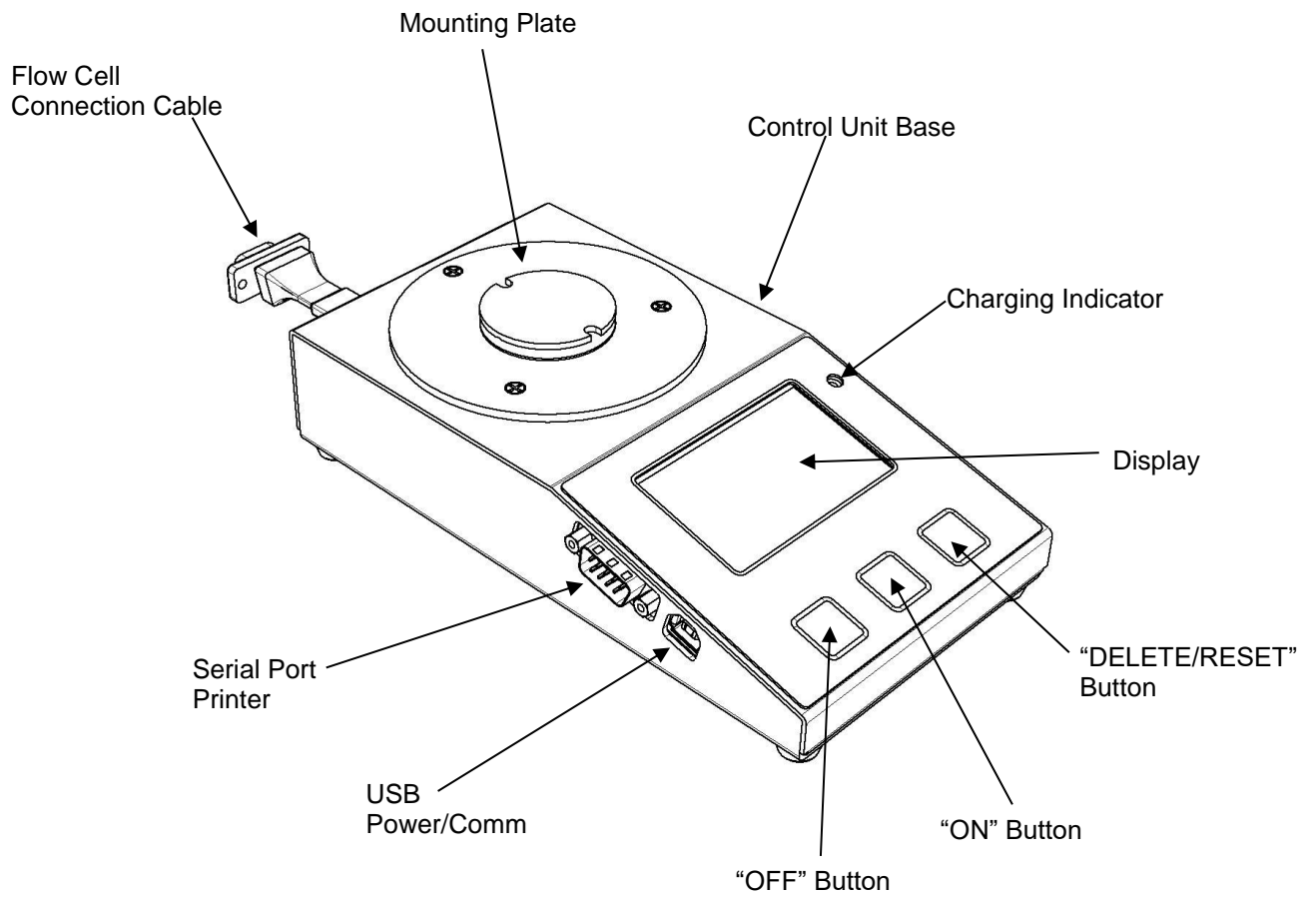


Figure 2.1
Control Unit

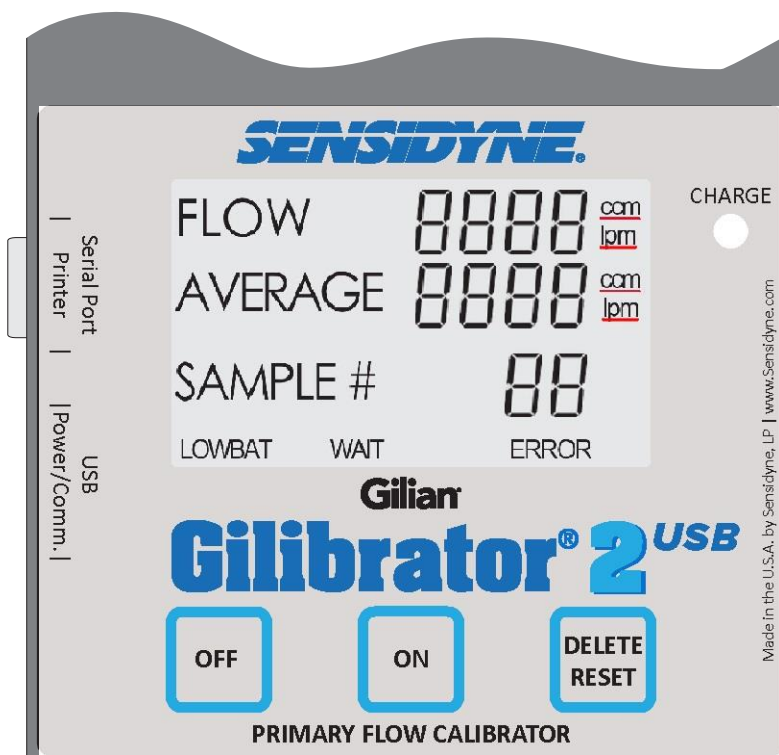


Figure 2.2
Liquid Crystal Display

2.2 WET FLOW CELL ASSEMBLY

The Wet Flow Cell Assembly (refer to Figure 2.3) consists of a Bubble Generator and Sensor Block. Each Bubble Generator is sized to produce a bubble film stretched across the diameter of the flow cell tube. The bubble is carried by airflow from the bottom to the top of the tube. As the bubble moves past two infrared sensors, each sensor transmits a signal to the Control Unit indicating the passage of the bubble film. A manual push-button on the Flow Cell Assembly starts the bubble film on its travel up the tube.

Wet Cell Assemblies come in three sizes:

- Low Flow (1 to 250 ccm)
- Standard Flow (20 ccm to 6 lpm)
- High Flow (2 to 30 lpm)

2.2.1 Bubble Generator Components

The Bubble Generator uses a special soap solution to generate the bubbles. This specially compounded low residue soap is designed to provide high film strength and compatibility with the materials used in the Flow Cell Assembly.

WARNING

Only use Soap Solution Part No. 800450 with the Wet Cell Assembly. Use of other soap solutions can damage the Flow Cell.

Pulsation Damper

This built-in damper smooths out any pulsation within the airflow and reduces oscillation of the bubble film, assuring maximum accuracy.

Bubble Initiate Button

This push-button lowers the Bubble Generator Ring into the soap solution reservoir. When the button is released, the ring lifts out of the soap solution and a film bubble is generated across the opening of the flow tube.

Bubble Breaker

The Bubble Breaker is a secondary chamber in the upper section of the flow cell that provides the traveling soap bubble a rapid expansion path. This is instrumental in breaking the bubble. It also prevents excessive wall wetting by the soap film and allows it to flow back into the base of the cell.

TIP

For highest accuracy, wait until the previous bubble pops before starting a new bubble.

Storage Tubing

The anti-spill storage tubing connects the upper and lower cell chambers and prevents the soap solution from evaporating. Evaporation can cause the soap solution concentration to change.

TRANSPORTATION WARNING!

If transporting a Wet Cell Assembly by airplane, disconnect the Storage Tubing from either the Air Outlet Boss (upper) or Air Inlet Boss (lower). This prevents the Flow Cell Assembly from becoming pressurized and possibly causing a rupture within the Bubble Generator.

2.2.2 Sensor Block

Surrounding the flow tube and secured between the upper and lower chamber of the bubble generator, is the Sensor Block (refer to Figure 2.4). The block includes lower and upper infrared sensors used to time the movement of bubbles through the Flow Cell. This block is secured to the Bubble Generator Assembly with two locking screws, allowing easy removal of the Sensor Block for Flow Cell maintenance.

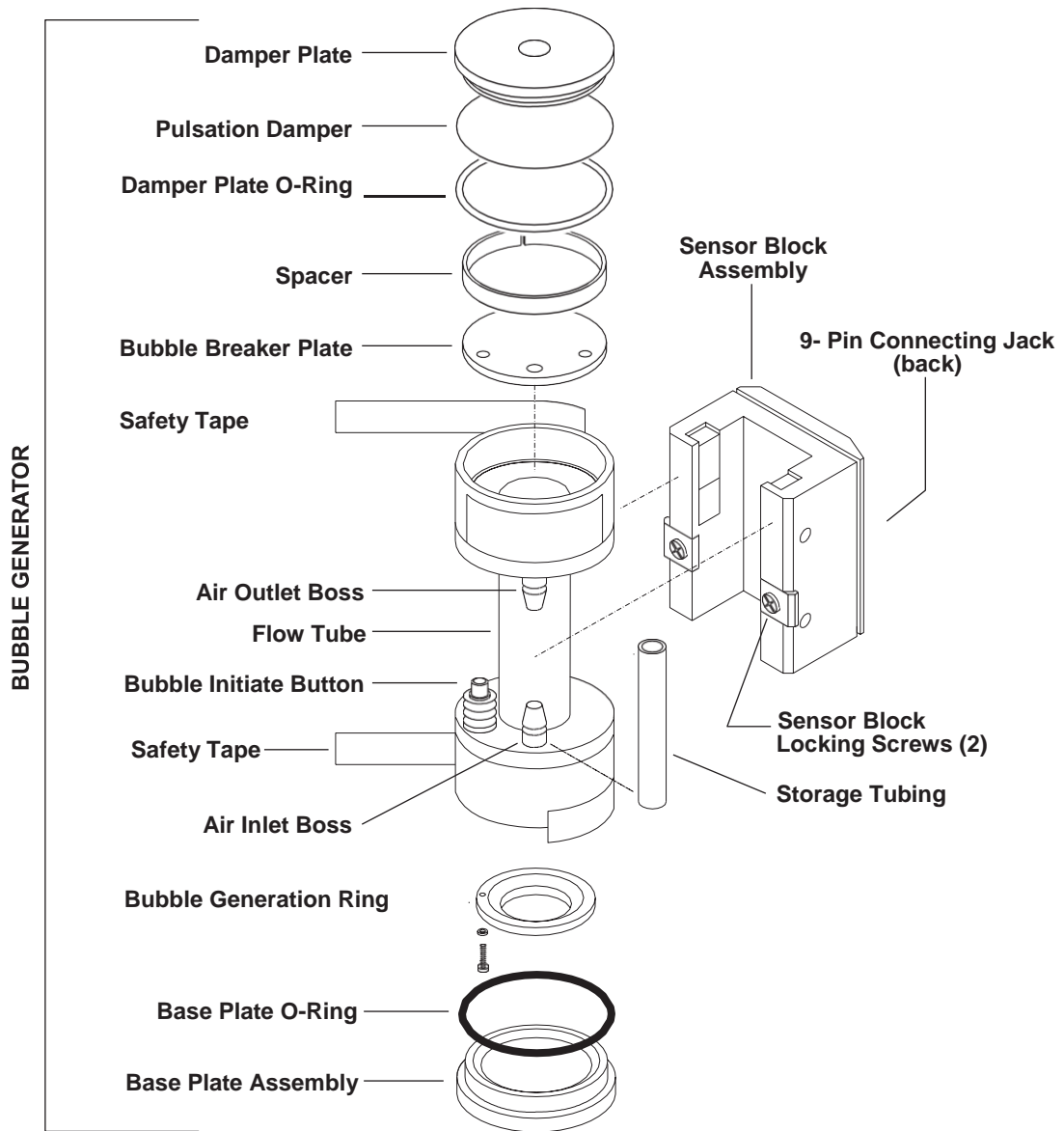


Figure 2.3
Wet Cell Assembly (Exploded View)

SECTION THREE

SETUP

3.1 SYSTEM SET-UP

This section describes the steps necessary to set up the Gilibrator 2 Calibration System. This includes initial setup, mounting the Cell Assembly, connecting the cabling, adding soap solution to wet cell assemblies, and setting up the sampling source. Figure 3.1 shows how a complete Gilibrator 2 Calibration System may be configured.

Refer to Figures 3.2 & 3.3. Perform the following steps to mount the Cell Assembly.

Prior to setup, make certain you have properly connected the unit to the provided USB power adapter, or another USB power source capable of providing 5V and at least 500mA. If USB power is properly connected, the Charge LED should be red, until battery is fully charged.

If you plan to use the Gilibrator 2 in the field, make certain the unit is fully charged (at least 14 hours) before operating the unit. If you plan to use the unit in the lab (i.e., near an AC wall outlet), you can continue with setup and operation immediately.

IMPORTANT COMPATIBILITY NOTE

Most flow cells designed for the original Gilibrator base are compatible with your new Gilibrator 2 base unit. If your existing flow cell is not compatible with the Gilibrator 2 base, the unit will display a false SAMPLE# reading immediately after start-up. If this happens, your flow cell needs to be returned to Sensidyne to be upgraded. See Appendix C (page 28) for more information.

3.2 CELL ASSEMBLY SET-UP

3.2.1 Cell Assembly Mounting

CAUTION

Always mount or remove the Cell Assembly by grasping and rotating only the lower part of the assembly.

- 1) The Control Unit Base should be positioned on a flat, level surface.
- 2) Select the appropriate Cell Assembly (Low, Standard, or High).
- 3) Grasp the *lower portion* of the Cell Assembly and move it to the Mounting Plate on the Control Unit.
- 4) With the front of the Cell Assembly facing right (see Figure 3.2), lower the assembly onto the Mounting Plate on the Control Unit.
- 5) Align the Mounting Pins on the Flow Cell with the Mounting Slots on the Mounting Plate (see Figure 3.3). If alignment is successful, the bottom of the Flow Cell should mount flush with the Mounting Plate.
- 6) While grasping *only the lower portion* of the Flow Cell Assembly, rotate it in a clockwise direction until it “clicks” into place. The front of the Cell Assembly should face toward the display on the Control Unit.

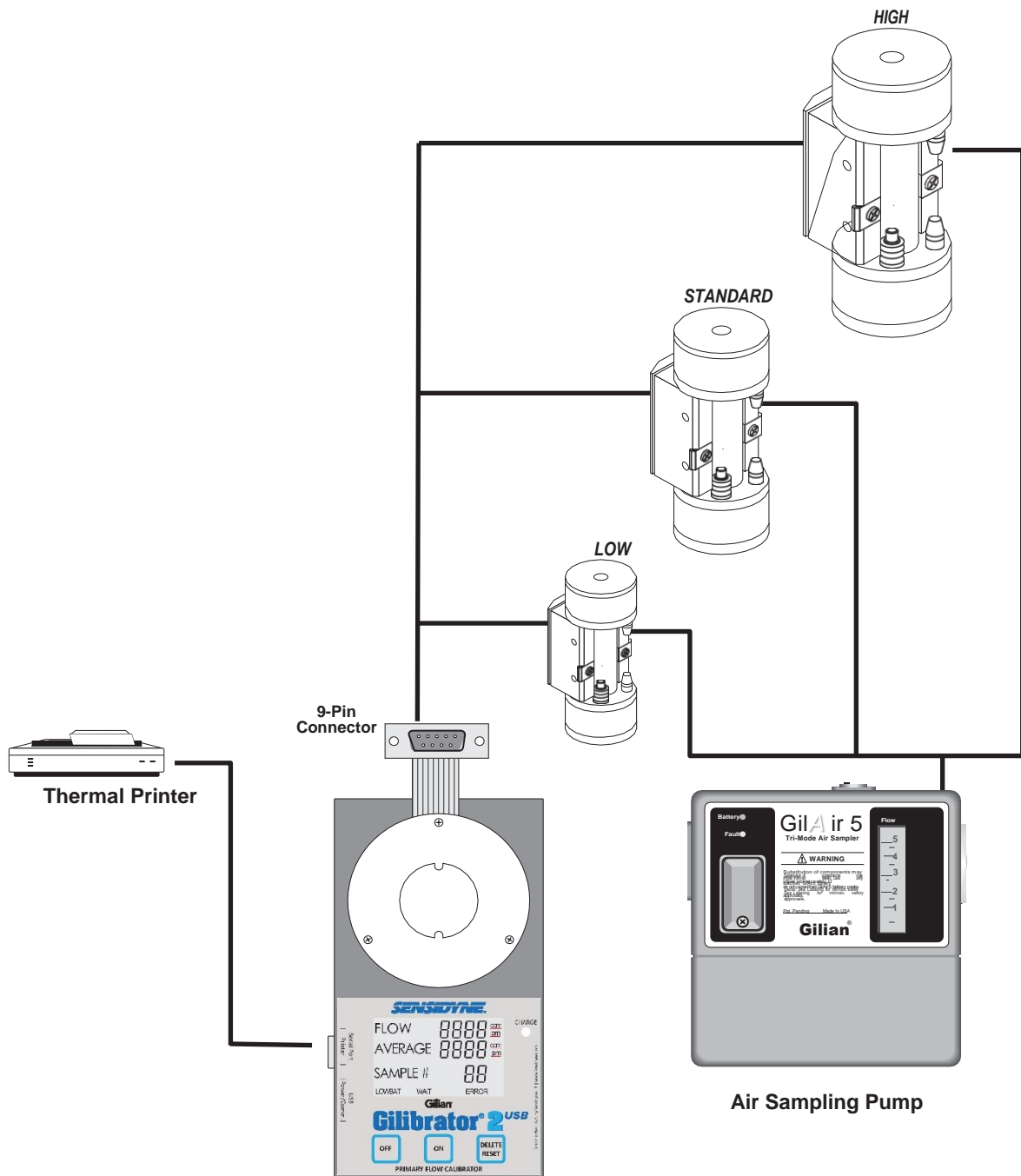


Figure 3.1
Gilibrator 2 System Setup

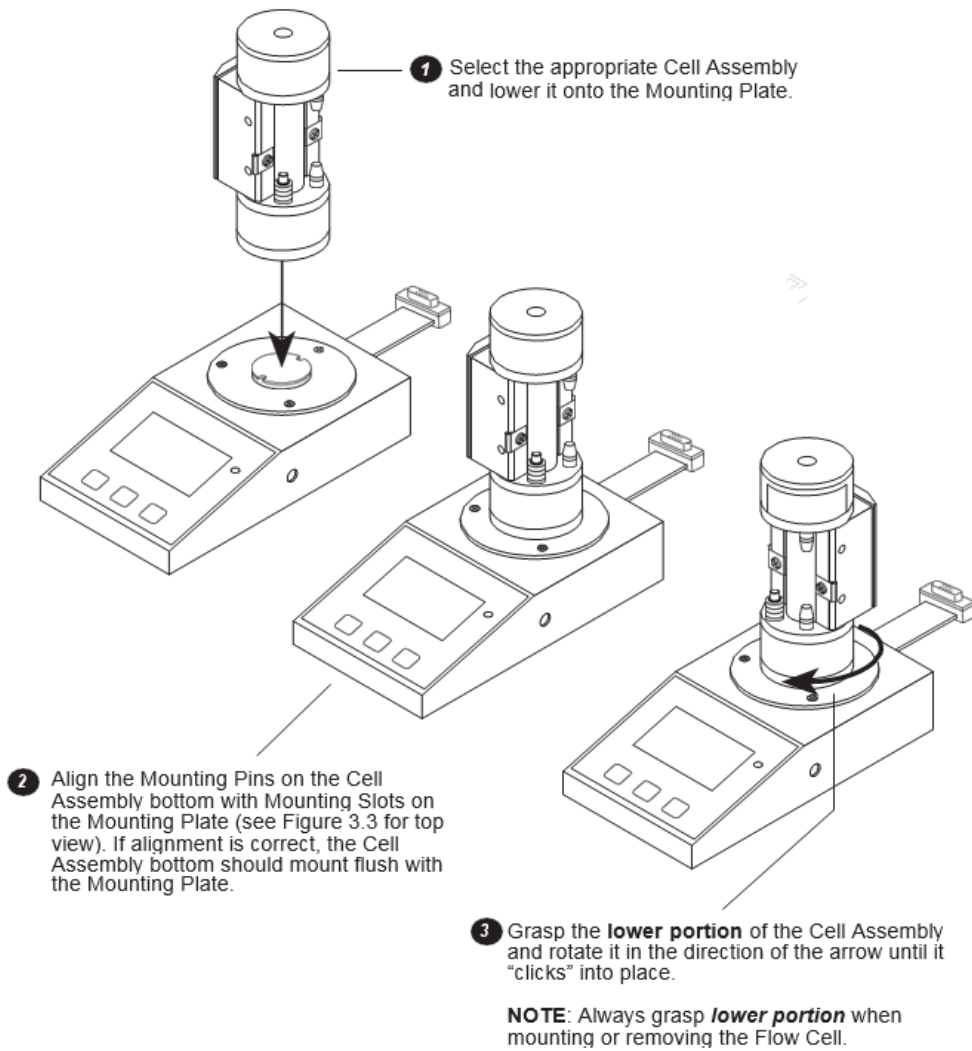


Figure 3.2
Cell Assembly Mounting (3-D View)

IMPORTANT
Mounting Pins & Mounting Slots
should match up

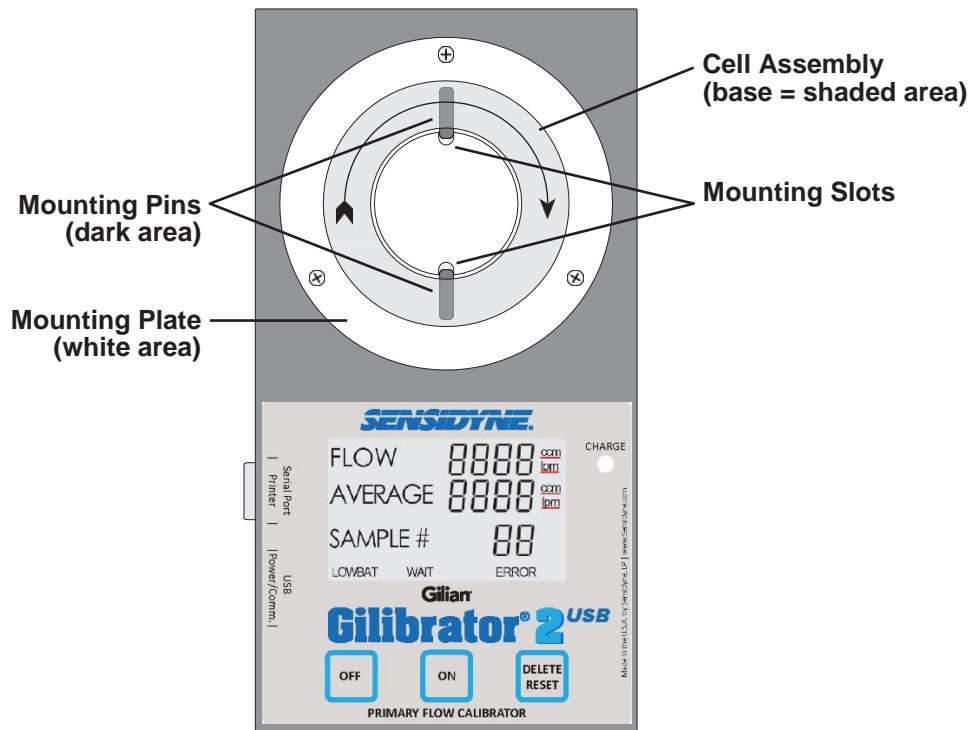


Figure 3.3
Cell Assembly Mounting (Top View)

3.2.2 Cabling Connections

When installing a Wet Cell on the Control Base, insert the 9-Pin Interface Plug from the Control Base directly into the Connecting Jack located on the back of the Wet Cell (refer to figure 2.3). Be sure to properly match up the connectors before engaging.

When using the optional printer for real-time printout of measurements, connect the printer to the 9-pin Serial Port connector on the left side of the Control Unit Base. Make certain the cable and Serial Port connectors align correctly before pressing the cable on to the connector. Power-on the printer. The Gilibrator-2 will transmit header text to the printer when it detects a device is connected, which includes device information and provides a place for the operator to write the date and serial numbers. To make the Gilibrator-2 print the header again, simply press the "ON" button.

3.2.3 Adding Soap Solution

WARNING

Only use Soap Solution Part No. 800450 with the Flow Cell Assembly. Use of other soap solutions can damage the Flow Cell.

Add soap solution to the unit as follows:

- 1) Remove the Storage Tubing from the Air Outlet Boss (see Figure 2.3) of the Flow Cell. Fill the dispenser bottle provided with Gilibrator soap solution. Using the rubber Storage Tubing as a funnel, slowly add soap solution from the dispenser (refer to Figure 3.4).
- 2) The amount of soap needed is determined by depressing the Bubble Initiate Button and holding it down in the lower position. Continue to add enough soap solution until the angled edge at the bottom of the Bubble Generator Ring is immersed in the solution.

CAUTION

Do Not Overfill

- 3) After filling is completed, the rubber Storage Tubing may be removed completely. Recap the soap dispenser bottle for later use.

NOTE

If the Wet Cell Assembly is not going to be used for an extended period of time, reinstall the rubber Storage Tubing between the inlet and outlet bosses. This prevents the solution from evaporating and altering the soap concentration in the solution.

WARNING

If you are shipping the Wet Cell, you must remove the rubber Storage Tubing between the inlet and outlet bosses.

3.2.4 Sampling Source Connection

Connect the air sampler to be calibrated to the Air Out-let Boss of the Wet Cell Assembly. Use 1/4" ID tubing in either case.

WET CELL NOTE

A liquid trap between the sampler and the Wet Cell Assembly is recommended. This prevents moisture from carrying over into the sampler during continuous calibration periods.

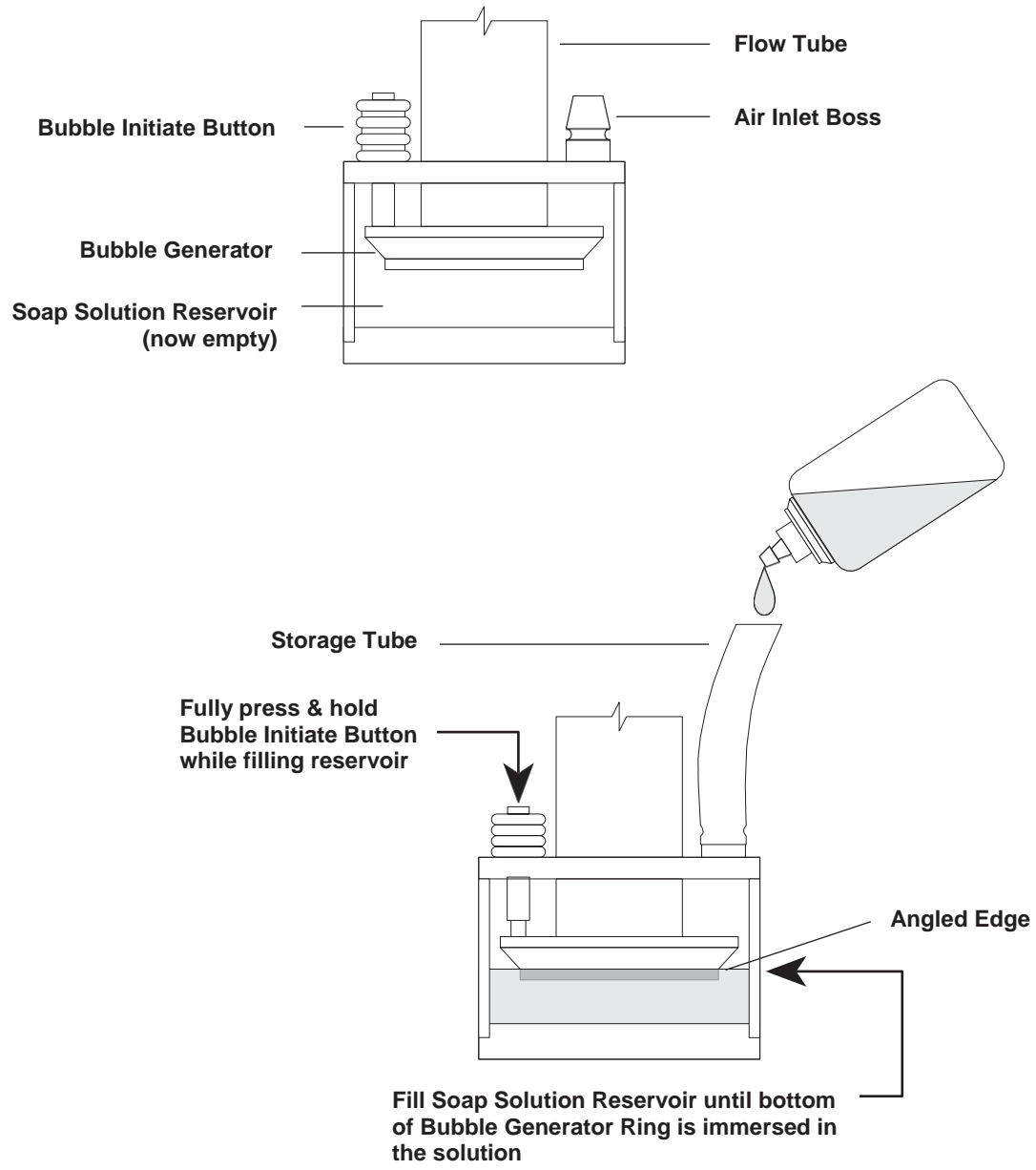


Figure 3.4
Adding Soap Solution (Wet Cell)

SECTION FOUR OPERATION

4.1 STARTUP

Turn on the sampling source.

Depress the Bubble Initiate Button several times to wet the inner walls of the flow tube. You will not be able to initiate a timing bubble without first “priming” the flow tube. You will develop a feel for bubble generation with practice.

After the Flow Tube walls have been primed, push the **ON** button on the Control Unit. The unit will send a header line to the printer or computer (if one is connected).

4.2 BUBBLE GENERATION

- 1) For optimum bubble generation, depress the Bubble Initiate Button and hold to initiate the first bubble to travel up the flow tube. Release the button to initiate a second bubble to travel up the Flow Tube. Repeat this process to obtain additional readings. This will be the standard procedure to making clean, consistent bubbles.
- 2) As the bubble rises up the Flow Tube, it initiates a timing sequence when it passes the lower sensor and completes the timing sequence when it passes the upper sensor. The timing information is then transmitted to the control unit where the necessary calculations are performed and a flow reading appears on the display.

CAUTION

If a bubble breaks before the time sequence is completed, timing will continue until another bubble is generated to trip the upper sensor. This causes an erroneous reading and should be subtracted from the average by pressing the DELETE Button for about 1 second.

If a printer is used, be sure it has completed its printing sequence before pressing the DELETE/RESET button. When this button is pressed for less than 1 second, a negative symbol appears on the Control Unit display. The printer also initiates a line showing this subtraction. If a computer is connected, this subtraction is shown on the computer screen.

4.3 FLOW READOUT

Display

The Control Unit displays the actual flow for each sample, as well as the accumulative average flow rate across samples, and the current sample number.

To delete an obviously false reading (usually caused by a popped bubble), push the **DELETE/ RESET** button briefly. This automatically deletes the false information from the average. The average and sample number revert back to the previous reading.

To re-initiate the entire sequence, push the **DELETE/RESET** button for at least 3 seconds. This zeroes all samples and averages within the Control Unit, and causes the printer (or computer) to index one line and reprint (or re-display) the sequence headings. This denotes the start of a new sequence.

Printer

The printer will print in sequence the flow, average, and sample number of each successive bubble reading.

SECTION FIVE **STORAGE & MAINTENANCE**

5.1 STORAGE

The Gilibrator 2 is designed so that little maintenance is required. However, periodic cleaning, calibration and replacement of the Damper Diaphragm on the Wet Cell Assembly may be required to ensure years of trouble-free operation.

Short-Term

Turn Off the Control Unit, the sampling source, and any attached output devices (if applicable).

If the unit is to be used daily, remove the air sampler connection. If using a Wet Cell Assembly, connect the Storage Tubing to both the Air Outlet Boss (upper) and Air Inlet Boss (lower). Plug the USB cable in to a power source. Recharge the unit overnight (14 hours) for next day usage.

Long-Term

If the Gilibrator is not to be used for long periods of time, use the following procedures to keep the unit in proper working order.

- 1) Disconnect the Cable Assembly from the connector on the Cell Assembly.
- 2) Remove the Cell Assembly from the Control Unit (Base) in the reverse order in which it was mounted.
- 3) Pour the soap solution out of the Flow Cell through the Air Inlet Boss. To do this, hold the Wet Cell Assembly horizontally (Air Inlet Boss closest to ground), and then tilt the assembly until the Air Inlet Boss is tipped downward at a 45° angle.
- 4) Continue holding the Flow Cell Assembly horizontally until all of the soap solution has poured out.

5.2 WET CELL MAINTENANCE

WARNING

Never use alcohol, acetone or any other harsh cleaners to clean the bubble generator cell.

5.2.1 General Maintenance

- 1) Refer to Figures 2.4 and 4.1. Remove the Sensor Block by loosening the 2 holding screws and sliding the block out and away from the Cell Assembly.
- 2) Remove the Safety Tape from the lip of the Damper Plate Assembly.
- 3) Using a small flat blade screw driver, lift off the Damper Plate using the notch between the upper chamber and the lid.
- 4) Remove the Spacer and then the Bubble Breaker Plate. This gives complete access to the interior of the Flow Cell Tube. Run clear water through the cell until the water exiting the cell runs clear. Rock the cell back and forth to empty out all excess water.
- 5) Replace the Bubble Breaker Plate and center the Air Outlet Boss with the plate's largest hole. Insert the spacer.
- 6) To replace the Damper Plate assembly, moisten the O-ring with soap solution and then press the Damper Plate into the top of the Upper Cell Chamber. Use your fingers to firmly squeeze plate into upper flow cell chamber.
- 7) Apply Safety Tape around the lip of the Damper Plate Assembly.
- 8) Replace the Sensor Block Assembly. Secure the block to the Cell Assembly by tightening the locking screws.

CAUTION

Never exert your body weight on the Bubble Generator to press the plate into place. Excessive weight on the Cell Assembly may result in breakage

5.2.2 Damper Plate Diaphragm

Refer to Figure 4.1 and perform the procedure as follows:

- 1) Remove the Safety Tape from around the lip of the Damper Plate assembly. Using a small flat blade screwdriver, remove the Damper Plate from the Upper Cell Chamber using the notch provided. Remove the large O-ring and the Pulsation Damper diaphragm.
- 2) To replace, center the new diaphragm over the Damper Plate aperture and roll the O-ring over the diaphragm and into the O-ring groove. If wrinkles occur, repeat the procedure to achieve a smooth placement.
- 3) Bubble the O-ring of Damper Plate and press into the Upper Cell Chamber. Apply Safety Tape around the lip of the Damper Plate Assembly.

5.2.3 Additional Wet Cell Maintenance

Leakage Check: The system should be leak checked at 13" H₂O by connecting a manometer to the outlet boss and evacuate the inlet to 13" H₂O. No leakage should be observed.

Calibration: It is recommended that the unit be returned to the factory annually for calibration. Contact the Sensidyne Service Department for an RMA number, information, and pricing (refer to Appendix C).

NOTE

The first recalibration is due one year from the date you receive your Gilibrator 2, regardless of the date on the certification sheet

System Transportation: When transporting the unit, especially by air, it is important that one side of the seal tube which connects the inlet and outlet boss, be removed thereby allowing for equalizing internal pressure within the generator. *Do Not transport unit with soap solution or storage tubing in place.*

CAUTION

Do Not Pressurize the Cell Assembly! Excessive pressure may cause the cell to rupture, resulting in personal injury

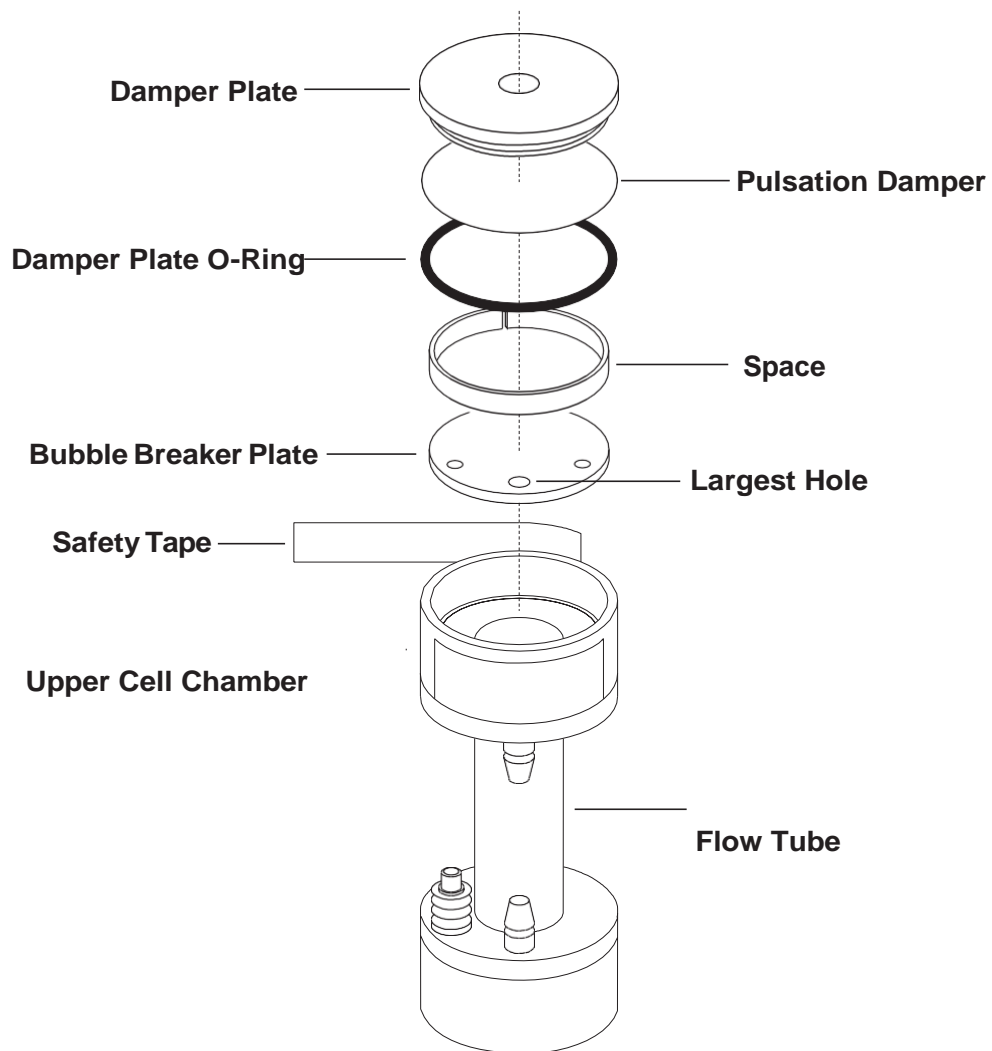


Figure 5.1
Wet Cell Assembly Maintenance

APPENDIX A

PARTS LIST

Calibration Kits

Basic: Control Unit, Battery Charger, Carrying Case, Calibration Certificate, Manual, and a Low, Standard, or High Flow Wet Cell with tubing, soap solution, and dispenser).

Diagnostic: Basic kit, plus Calibration Panel.

Deluxe: Basic kit, plus Printer Module and all three Wet Cells.

Deluxe Diagnostic: Basic kit, plus Calibration Panel, Printer Module, and all three Wet Cells.

Part Number	Description
800270.....	High Flow Wet Cell Kit (2-30 LPM), Basic (115 VAC)
800270-2	High Flow Wet Cell Kit (2-30 LPM), Basic (230 VAC)
800271	Standard Flow Wet Cell Kit (20 cc-6 LPM), Basic (115 VAC)
800271-2	Standard Flow Wet Cell Kit (20 cc-6 LPM), Basic (230 VAC)
800844-2	Standard Flow Wet Cell Kit (20 cc-6 LPM), Diagnostic (115 VAC)
800844-2-230	Standard Flow Wet Cell Kit (20 cc-6 LPM), Diagnostic (230 VAC)
800272.....	Low Flow Wet Cell Kit (1 cc-250 cc), Basic (115 VAC)
800272-2	Low Flow Wet Cell Kit (1 cc-250 cc), Basic (115 VAC)
800844-1	Low Flow Wet Cell Kit (1 cc-250 cc), Diagnostic (115 VAC)
800844-1-230	Low Flow Wet Cell Kit (1 cc-250 cc), Diagnostic (230 VAC)
800275.....	Deluxe Kit with all 3 flow cells (115 VAC)
800275-2	Deluxe Kit with all 3 flow cells (230 VAC)
801804.....	Deluxe Kit with all 3 flow cells, no printer (115 VAC)
801804-1	Deluxe Kit with all 3 flow cells, no printer (230 VAC)
800844-4	Deluxe Diagnostic Kit with all 3 flow cells (115 VAC)
800844-4-230	Deluxe Diagnostic Kit with all 3 flow cells (230 VAC)

APPENDIX A **PARTS LIST**

Accessories

Part Number	Item/Description
800274	Printer Module Kit (115 VAC) (includes printer, paper, & cable assembly)
800274-230	Printer Module Kit (230 VAC) (includes printer, paper, & cable assembly)
700721	Printer only
811-9943-01-R	<i>PC Interface Cable only</i>
811-0501-01	<i>Program Disk Set only</i>
360-0049-01	<i>Software User Manual only</i>
801841	Deluxe Carry Case for 3 cells
200904	Latex Tubing, 18" (Standard/High Flow), 1/4" [ID] x 7/16" [OD], 2 pieces
200914	Latex Tubing, 18" (Low Flow), 1/8" [ID] x 7/16" [OD], 2 pieces
811-0507-01-R	Power Adapter, Universal Wall w/USB A to USB B cable
811-9943-01-R	Cable, USB A to USB B, 6' long
811-0509-01-R	Power Adaptor, Universal Wall
780-0015-05-R	Cable, Smart Cal

Spares

Part Number	Item/Description
850190-1-R	Control Base Unit (9-Pin Cable) [CE]
800267-1	Low Flow Wet Cell Assembly [1–250 cc/m]
800266-1	Standard Flow Wet Cell Assembly [20 cc/m–6 LPM]
800265-1	High Flow Wet Cell Assembly [2–30 LPM]
200789	Storage Tubing (Low Flow) —3/16" [ID] x 5/16" [OD] x 1 1/2" [length]
200666	Storage Tubing (Standard Flow) —1/4" [ID] x 7/16" [OD] x 2 3/4" [length]
200649	Storage Tubing (High Flow) —1/4" [ID] x 7/16" [OD] x 4 1/2" [length]
800331	Safety Tape (10 ft)
800450	Flow Cell Soap Solution (8 oz.)
400667	Soap Dispenser Bottle
800402	Standard Carrying Case
700560	Gilibrator-2 Battery Pack
400692	Gilibrator Battery Pack
850190M	Operation & Service Manual

APPENDIX B SPECIFICATIONS

SPECIFICATIONS

General Specifications

Base Unit Construction	Painted aluminum sheet metal
Unit Orientation	Base: Horizontal, on flat surface
Controls	“ON” Button “OFF” Button “DELETE/RESET” Button
Indicators	Display (LCD) Charge Indicator (LED)
Display Data	Flow (4-digit) Average (4-digit) Sample# (2-digit)
Display Ranges	Flow: 0–9999 Average: 0–9999 Sample#: 0–99
Display Messages	Low Bat Wait Error 1 Error 2
Viewing Angle	60°

Performance Specifications

Operating Temperature	5° to 35°C (41° to 95°F)
Storage Temperature	0° to 50°C (32° to 122°F)
Operating Humidity	0–85 %RH, non-condensing
Storage Humidity	0–100 %RH, non-condensing
Accuracy	Better than 1% (Wet Cell)

Electrical Specifications

Power Source (DC)	Internal Battery Pack
Battery Type	Rechargeable NiMH
Battery Charge Time	14 hours
Expected Battery Life	Over 300 charge/recharge cycles
Input Voltage	USB 5.0V
Input Current	500 mA
Transmission Link Requirements	RS-232, USB Full Speed
Interface Connectors	USB-B Serial Port (male DB-9) Sensor Block Connection Cable (DB-9 female)

APPENDIX C RETURNED MATERIAL AUTHORIZATION

Sensidyne maintains an instrument service facility at the factory to provide its customers with both warranty and non-warranty repair. Sensidyne assumes no liability for service performed by personnel other than Sensidyne personnel. To facilitate the repair process, please contact the Sensidyne Service Department in advance for assistance with a problem which cannot be remedied and/or requires the return of the product to the factory. All returned products require a Returned Material Authorization (RMA) number. Sensidyne Service Department personnel may be reached at:

Sensidyne
1000 112th Circle N, Suite 100
St. Petersburg, FL 33716 USA
800-451-9444 • 727-530-3602
727-538-0671 [Service Fax]

All non-warranty repair orders will have a minimum fee of \$50 whether the repair is authorized or not. This fee includes handling, administration and technical expenses for inspecting the instrument and providing an estimate. However, the estimate fee is waived if the repair is authorized.

If you wish to set a limit to the authorized repair cost, state a "not to exceed" figure on your purchase order. Please indicate if a price quotation is required before authorization of the repair cost, understanding that this

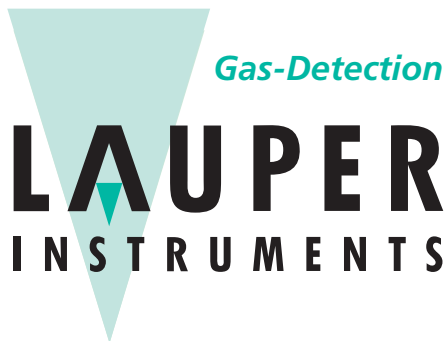
invokes extra cost and handling delay. Sensidyne's repair policy is to perform all needed repairs to restore the instrument to its full operating condition.

Repairs are handled on a "first in - first out" basis. Your order may be expedited if you authorize an expediting fee. This will place your order next in line behind orders currently in process.

Pack the instrument and its accessories (preferably in their original packing) and enclose your return address, purchase order, shipping and billing information, RMA number, a description of the problem encountered with your instrument and any special instructions. All prices are subject to change without notice.

If this is the first time you are dealing directly with the factory, you will be asked to prepay or to authorize a COD shipment.

Send the instrument, prepaid, to:



Lauper Instruments AG
Irisweg 16 B
CH-3280 Murten
Tel. +41 26 672 30 50
info@lauper-instruments.ch
www.lauper-instruments.ch

SERVICE OPTIONS

The Sensidyne Service Department offers a variety of service options which will minimize costly interruptions and maintenance costs. These options include initial training, on-site technical assistance, and full factory repairs. Sensidyne has developed several programs which offer options best suited to your applications and needs. For further information, contact the Sensidyne Service Department at the following numbers: 800-451-9444 • 727-530-3602 • 727-538-0671 [Service Fax].